

witt

S P O R T

Witt Smart Run



User guide EN: 2-36

Table of contents

TECHNICAL SPECIFICATIONS	2
SAFETY INSTRUCTIONS	3
LIST OF PARTS	5
OVERVIEW	6
INSTALLATION GUIDE	7
MULTIMEDIA GUIDE	22
CONFIGURE AND PERSONALISE THE TREADMILL	27
UPLOAD IMAGES TO THE TREADMILL	27
REMOVE IMAGES FROM THE TREADMILL	30
CLEANING AND MAINTENANCE.....	32
WARRANTY AND SERVICE	36

Technical specifications

1. Input voltage: 220V±15 % (50Hz or 60Hz)
2. Motor strength: 2.5 HP (max. 5.0 - 6.0 HP)
3. Surrounding temperature: 0-40 C°
4. Speed range: 1-16 km/h
5. Sloping: 0-16 %
6. Time display: 00: 00: 00-99: 59: 59 + (minutes : seconds)
7. Distance range: 0-999+ (kilometre)
8. Interval range: 0-999+ (kilometre)

Safety instructions

When using an electrical product, the fundamental precautionary measures must be observed, including the following safety instructions.

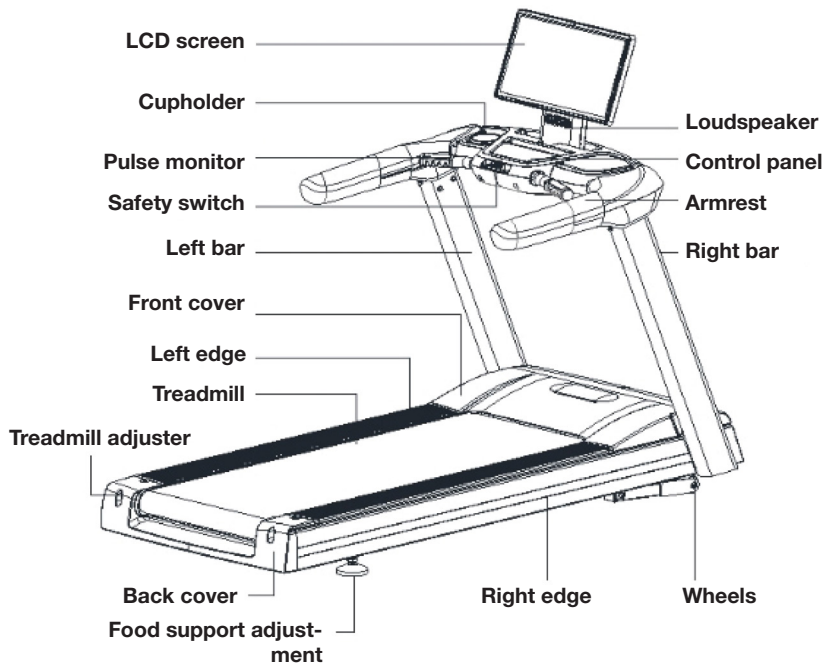
1. The treadmill's maximum weight tolerance is 180 kg for one person at a time.
2. The treadmill is only suitable for indoor use.
3. Keep objects, children and pets away from the treadmill to avoid damage/injuries to them.
4. Place and use the treadmill on a solid, dry and level surface and be careful when changing position and moving while on it. There needs to be a 2 metre x 1 metre safety distance behind the treadmill.
5. Keep the treadmill away from water, moisture, heat and fire.
6. To avoid electric shocks, never drop or insert any items/objects into any of the machine's openings. Do not insert fingers or other body parts into the machine.
7. Do not use accessories for the treadmill that are not recommended by the manufacturer. Accessories can cause personal injuries.
8. **MAKE SURE THAT THE TREADMILL IS CORRECTLY GROUNDED.**
Always inspect the power cable for damage before using the treadmill and make sure that the treadmill is connected to a proper power source. Make sure that the voltage of the power supply matches that which is stated on the power cable. You cannot use the treadmill before defective components are replaced by a qualified professional.
9. Do not wear clothing that can be caught up in one of the treadmill's components. Wear appropriate clothing and shoes. It is strictly forbidden to use the treadmill barefoot.
10. Place your feet on the edges before powering on the treadmill. Never power up the treadmill at a high speed setting and then attempt to jump up on it!
11. The pulse reader is not a medical device or instrument and is only for indicatory purposes. Several things, including the user's motions, can impact the preciseness of the sensor.
12. Before starting to use the treadmill, you should consult your doctor to determine if you have any physical or health-related issues that can pose a risk to your health and safety or prevent you from using the treadmill properly. Your doctor's advice is critical if you are taking medication that impacts your pulse, blood pressure or cholesterol levels.
13. Select a speed setting that matches your level of fitness.
14. The treadmill should never be left unattended when it is plugged in. Remove the plug from the socket when it is not in use and also before adding or removing parts.
15. Children under the age of 12 must NEVER use the treadmill. Keep pets and children under the age of 12 away from the treadmill.
16. Never use the treadmill during thunderstorms to avoid electric shocks.

17. Do not use the treadmill for excessive periods of time (no more than 17 hours) - if you uses it excessively it can damage the motor and the machine's display and reduce the lifetime of the treadmill.
18. Never touch moving parts.
19. Stop using the treadmill if you feel ill at ease or if something is wrong with the machine.
20. Be particularly attentive when using the treadmill if you have long hair. It is recommended to tie your hair up so that it cannot get stuck in something.
21. If you experience any kind of pain, including but not limited to chest pain, feeling unwell, dizziness or shortness of breath, you should stop exercising immediately and talk to a doctor before continuing. Incorrect or excessive exercising can result in damage to your health.
22. Never use the treadmill if the cord or wire are damaged. Contact your local retailer if you need replacement parts or repairs.
23. The treadmill may not be used by children or people with impaired physical, sensory or mental abilities or those with lack of experience and knowledge unless they are sufficiently monitored and instructed in how to use the device correctly.
24. Even when supervised, children must never use the treadmill for play!
25. Never make modifications to the treadmill.
26. Before using the treadmill, make sure that all nuts and bolts are tightened. If some parts are damaged, do not use the treadmill and have an authorized service centre or the retailer replace the damaged parts.
27. Never pull on the cord and never use it as a handle.
28. Do not use the cord if it is damaged or wet.
29. It is recommended to do stretching exercises before using the treadmill.
30. Do not stand on the treadmill. When you are about to use the treadmill, do not stand on it directly. Place your feet on the edges before starting the treadmill. Only begin walking on the treadmill once it has started moving. Never power up the treadmill at a high speed setting and then attempt to jump up on it!
31. Never get off the treadmill before it has come to a complete stop. In emergencies, jump on to the edges/sides.
32. Use the safety clip (dead man's switch) when using the treadmill. Fasten the clip to your clothes. If the clip is drawn out, the treadmill will stop. In an emergency, you need to place both hands on the handrails and put your feet on the edges. Once this is done, pull the safety clip or press the red stop button - this will stop the treadmill.
33. It is important that the treadmill is only used indoors in a sufficiently temperate and dry room to avoid static electricity. Be particularly attentive to this during winter. Static electricity can be disturbing and even damage the product. Synthetic fibres and materials can also generate static electricity. Avoid using the treadmill if you are wearing clothing made of synthetic materials.

List of components

No.	Name	
1	Screw with interior hexagon M8*20	6
2	Washer Ø8*Ø16*T1.5	5
3	Star screwdriver M4*16/	3
4	Curved washer/ Ø8*Ø19*T1.5	4
5	Screw with interior hexagon M10*25	6
6	Washer/Ø10.5*Ø20*T2.0	6
7	Screw/M8*50	3
8	Locking washer/Ø10	6
9	Locking washer/Ø8	6
10	Plastic nut M8	3
11	Arm rest / Connector piece for the armrest	1
12	Display panel / Connector piece for the display	
13	Right bar/tube	1
14	Left bar/tube	1
15	Front cover	1
16	The machine's platform	1
17	Main frame	1
18	Washer Ø4.0	1
19	Power & communication cord (bottom section)	1
20	Power & communication cord (top section)	1
21	Extension cord for loudspeaker	2
22	Exit cable for loudspeaker	2
23	Connection cord for bottom motherboard adapter	1
24	Back display	1
25	Hex key with cross L6	1
26	Hex key L8	1
27	Socket wrench 13	1
28	Wrench with screws for interior hexagon type Z	1
29	String	1
30	Power cable	1
31	Set of reserve parts	1

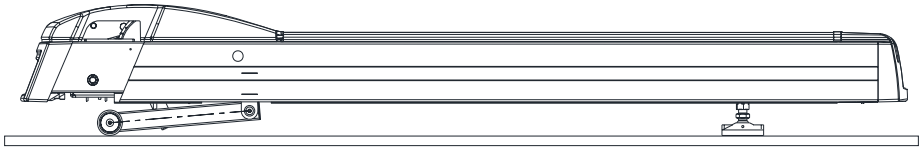
Overview



Installation guide

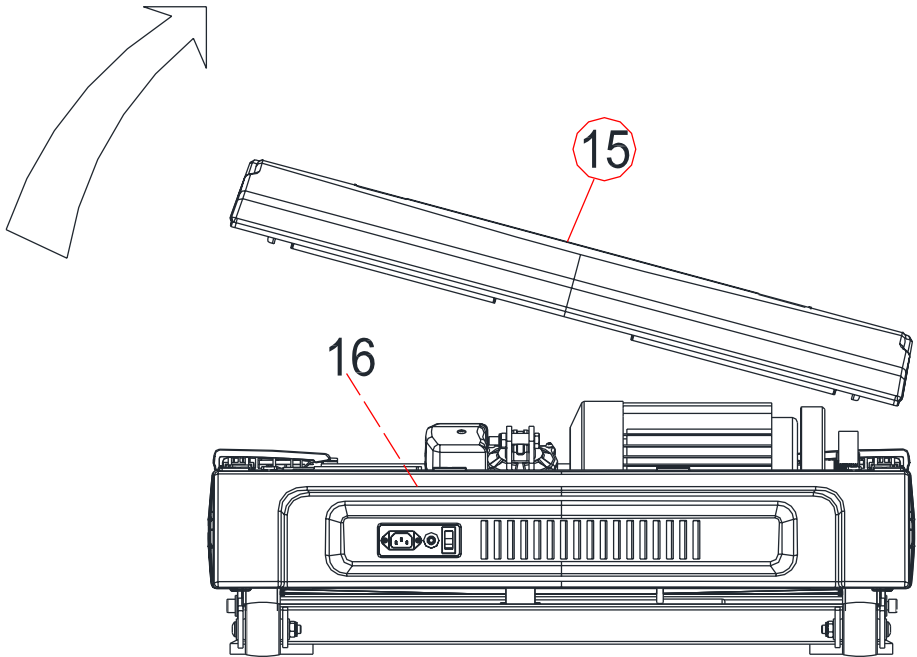
Step 1

Remove the treadmill from the box and place it on the floor.



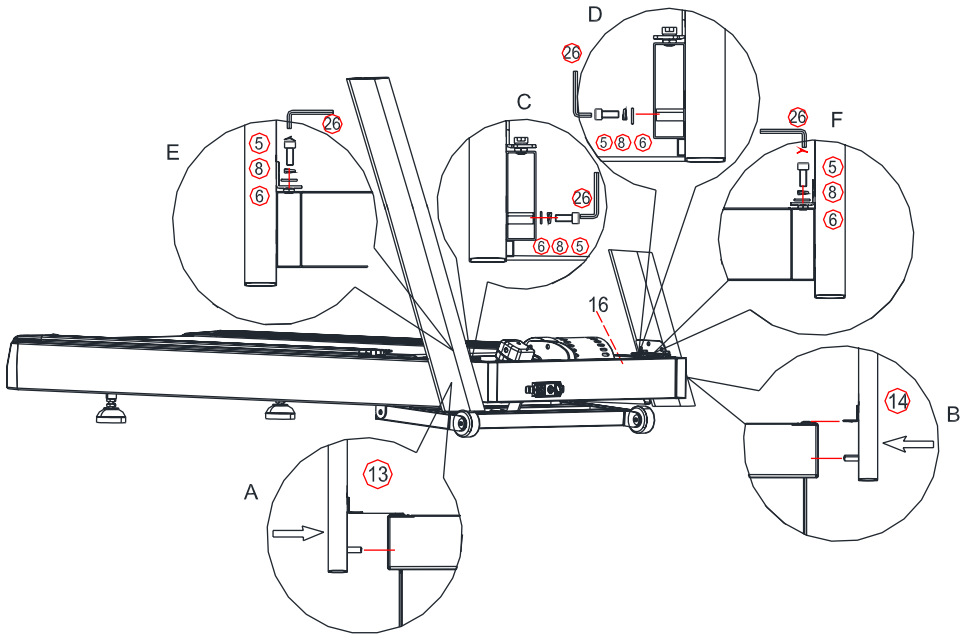
Step 2

Remove the front cover (15) from the platform (16) (The front cover and platform are joined together with Velcro).



Step 3

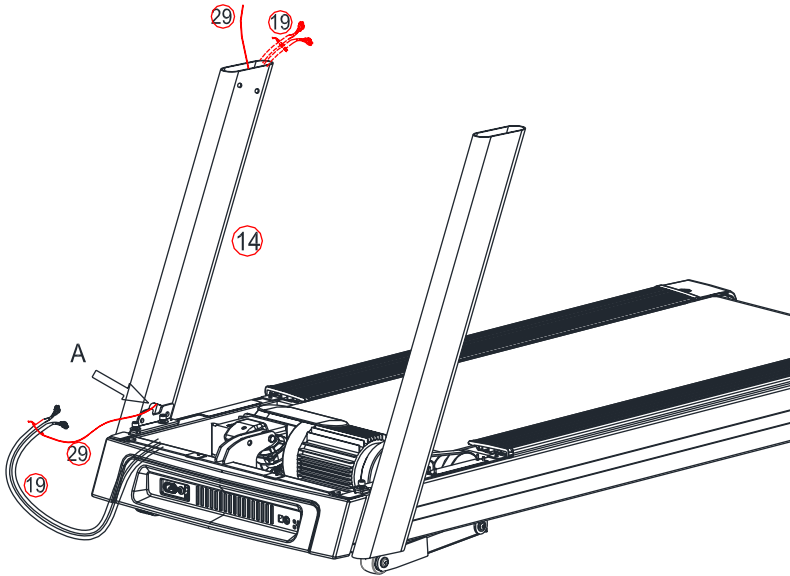
- 3.1** Insert the left bar (14) and right bar (13) into the main frame (as shown on figure A and B).
- 3.2** Use 1 x screw with interior hexagon M10*25 (5), 1 x locking washer Ø10 (8) and 1 x washer Ø10.5*Ø20*T2.0 (6) from the interior of the main frame to fasten the left bar (14) and the right bar (13) so that they are locked tight. (As shown on Figure C and D).
- 3.3** As shown on Figures E and F: use 2 x screws with interior hexagon M10*25 (5), 2 * locking washers Ø10 (8), 2 x washers Ø10.5*Ø20*T2.0 (6) on top of the main frame. Fasten the left (14) and right (13) bars tightly.



(14) Left bar	1 x
(13) Right bar	1 x
(5) Screw with interior hexagon M10*25	6 x
(8) Locking washer Ø10	6 x
(6) Washer Ø10.5*Ø20*T2.0	6 x
(26) Hex key L8	1 x

Step 4

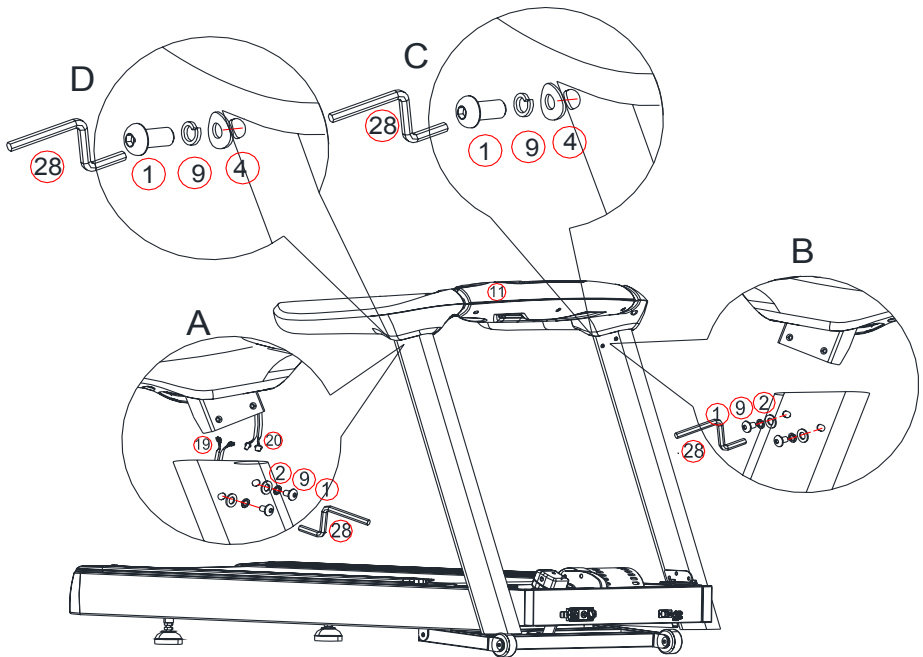
Use a thin string (29) fastened to the right bar (13) to pull the bottom section of the power & communication cord (19) through the small hole (A) at the bottom of the right bar (13). Pull the cord unit out from the top of the bar.



(19) Power & communication cord (bottom section)	1 x
(29) String	1 x

Step 5

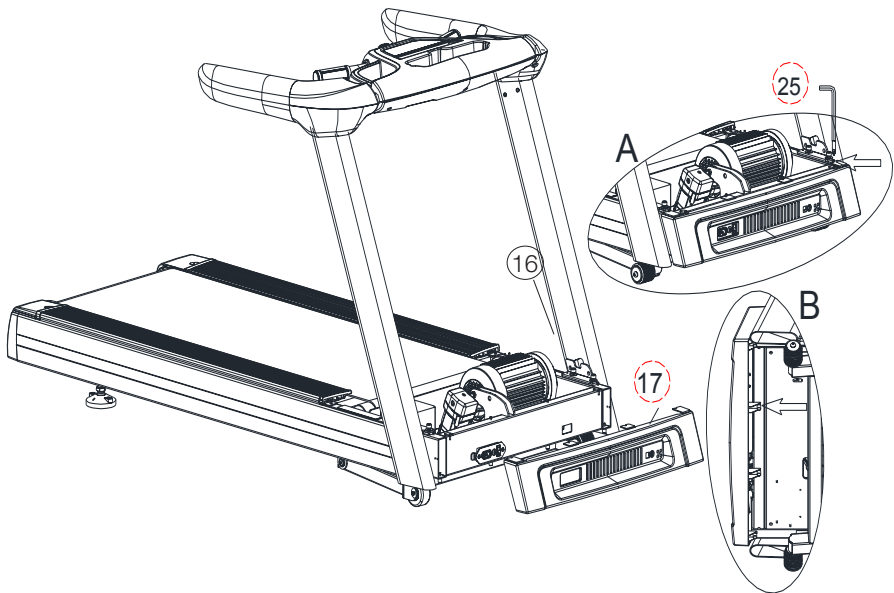
- 5.1** Connect the bottom section of the power & communication cord (19) to the right bar with the top section of the power & communication cord (20) plugged into the armrest's connector piece (11).
- 5.2** Attach the connector to the armrest (11) on the right and left bars (14+13) and use a wrench (28) to fasten 2 x screws with interior hexagon M8*20 (1), 2 x locking washers Ø8 (9), 2 x washers Ø8*Ø16*T1.5 (2). Fasten the inward-facing side as shown on Figures A + B.
- 5.3** Use a wrench (28) to fasten the armrest on top with 1 x screw with interior hexagon M8*20 (1), 1 x locking washer Ø10 (9) and 1 x curved washer Ø8*Ø19*T1.5 (4). The components are shown in Figures C + D.



(11) Connector to armrests	1 x
(1) Screw with interior hexagon M8*20	6 x
(9) Locking washer Ø8	6 x
(2) Washer Ø8*Ø16*T1.5	4 x
(4) Curved washer Ø8*Ø19*T1.5	2 x
(28) Wrench for screws with interior hexagon type Z	1 x

Step 6

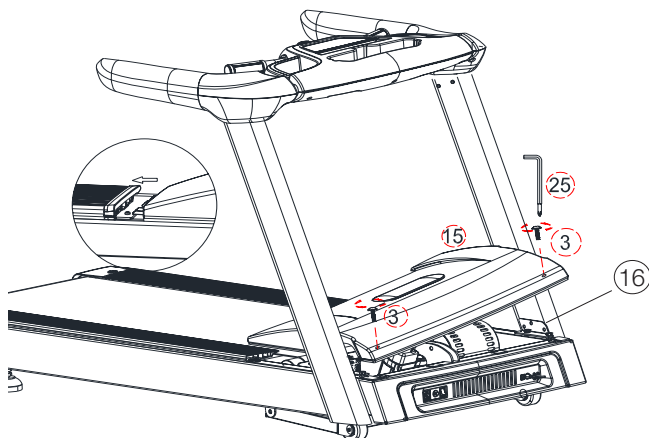
- 6.1** Install the front panel of the main frame (17) on the platform (16) and click it securely into place under the equivalent screws shown with arrows in Figures A + B.
- 6.2** Above the main frame's top panel (17), use a hex key with a cross L6 (25) to tighten the four screws as shown in Figure A.
- 6.3** Under the front panel of the main frame (17), tighten the four screws in your hand as shown in Figure B.



(17) Front panel on main frame	1 x
(25) Hex key with cross L6	1 x

Step 7

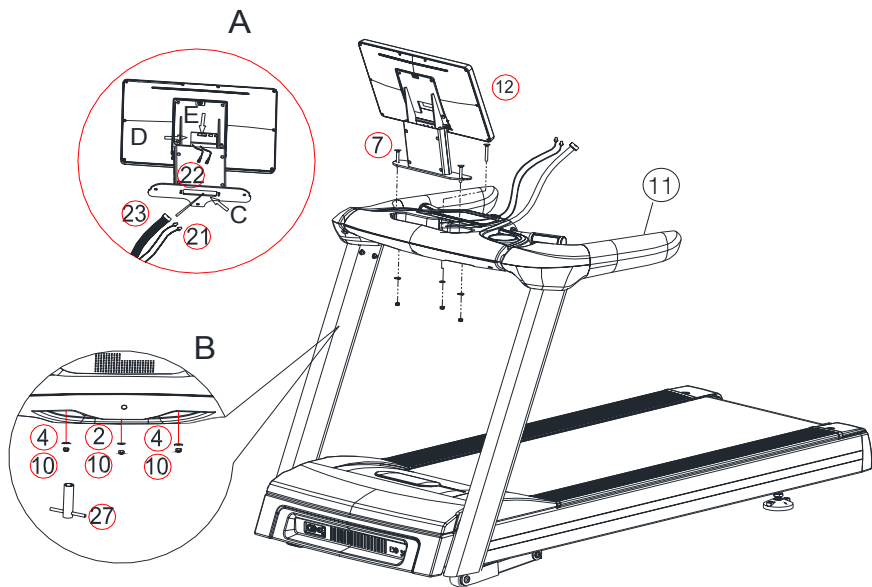
- 7.1 Install the front cover (15) on the platform (16). First insert the cover into the edge of the platform (as shown on the illustration) and then use the hex key with cross L6 (25) to fasten the two star screws M4*16 (3). Fasten the front cover (15) thoroughly.



15 Front cover	1 x
(3) Star screwdriver M4*16	2 x
(25) Hex key with cross L6	1 x

Step 8

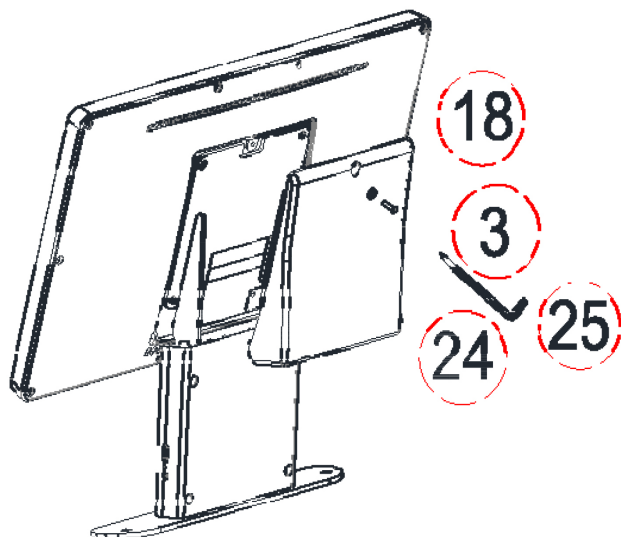
- 8.1** Insert the connector cord to the motherboard adapter (23) and connect the 2 x extension cords to the loudspeaker (21) via the hole (C) at the bottom of the display connector (12) and pull it out in the middle by D (see Figure A).
- 8.2** Use 3 x screws M8*50 (7), 3 x plastic nuts M8 (10), 2 x curved washers $\text{Ø}8^{\circ}\text{Ø}19^{\circ}\text{T}1.5$ (4) and 1 x washer $\text{Ø}8^{\circ}\text{Ø}16^{\circ}\text{T}1.5$ (2) to fasten the display panel (12) to the armrest (11) (use the washer for the middle screw). Use the curved washers for the screws on both sides as shown in Figure B. Fasten with a socket wrench (27).
- 8.3** Insert the connecting cord to the motherboard adapter (23) in plug E in the most distant end of the display and connect 2 x extension cords to the loudspeaker (21) with 2 x exit cables to the loudspeaker (22) in the middle by D on the display panel (see Figure A).



(7) Screw M8*50	3 x
(2) Washer $\text{Ø}8^{\circ}\text{Ø}16^{\circ}\text{T}1.5$	1 x
(4) Curved washer $\text{Ø}8^{\circ}\text{Ø}19^{\circ}\text{T}1.5$	2 x
(10) Plastic nut M8	3 x
27 (Socket wrench)	1 x

Step 9

9.1 Use 1 x star screwdriver M4*16 (3) and 1 x washer Ø4.0 (18) to fasten the back cover of the display (24) to the display (12).

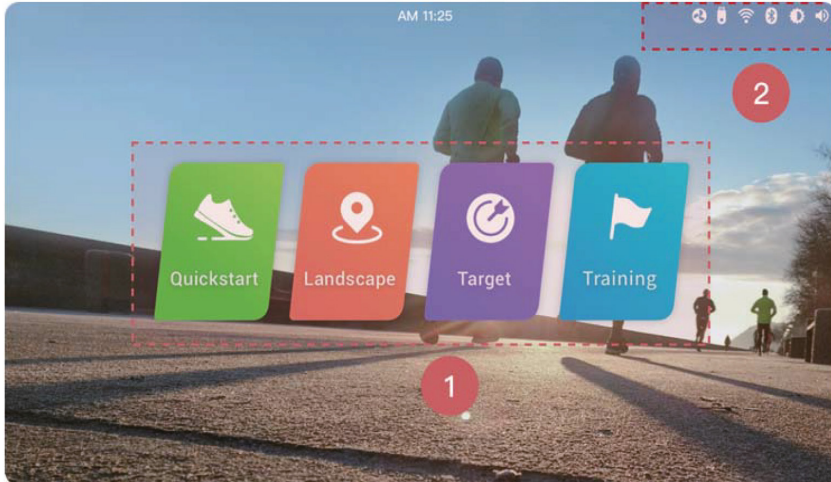


(24) Back cover for the display.	1 x
(3) Star screwdriver M4*16	1 x
(18) Washer Ø4.0	1 x
(25) Hex key with cross L6	1 x

System settings and shortcuts

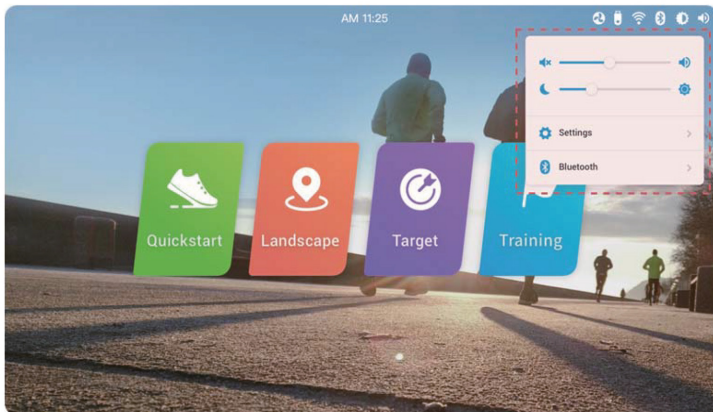
Start page

When you have started the treadmill, you first need to access the start page. The start page's interface is divided into two interactive areas as shown below:



Name	Description
Main functions	Main functions include all running training programmes on the treadmill in question. Choose between the various programmes as you prefer. Below you will find a detailed overview of each individual programme.
Status and shortcuts	This section contains hardware-related status displays and shortcut settings. Supports an auto-update of time display on the start page. USB port, Bluetooth and status for wireless network connection. Press on the icon in the area to open the interface shortcut settings to quickly help the user connect to Bluetooth devices, adjust the light on the display and the loudspeaker volume.

The user can open the shortcut menu via system settings and shortcuts in the top right corner on the start page as shown below:



The user can adjust volume, sound and Bluetooth settings via the menu. The advanced settings are not a user menu, but the treadmill's operating menu is meant to be used only by service personnel. (There is a separate manual for this).

Main functions

The main function area includes four running training programmes. Below there is a description of the programme functions:

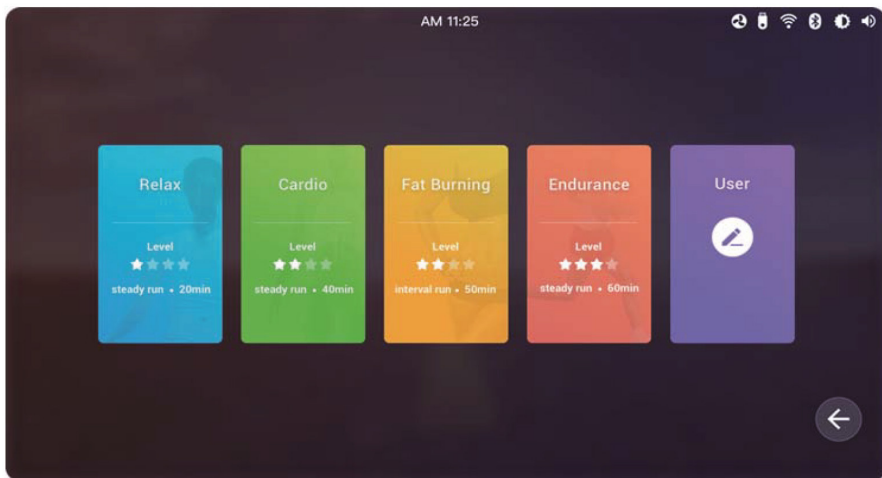
Programme	Description
Quick start	Quick start makes it fast and easy for the user to start using the treadmill and start running.
Landscape	This setting allows the user to select a 'real world' environment for the run so that one feels like one is running outside in some exciting environments.
Target	This setting is intended for the user to specify his/her own training objectives in terms of: running time, running distance and burning of calories. The programme allows the individual user to customize his/her training targets based on needs and desires.
Train	This setting offers a broad range of different training options and is well-suited for users with specific running objectives, i.e. burning fat or training endurance.

*Please note:
As the treadmill's software is continuously updated, the current interface might not be a complete match with the interface reviewed in these instructions. Please follow the current interface as the instructions are only meant to be a reference.



Training

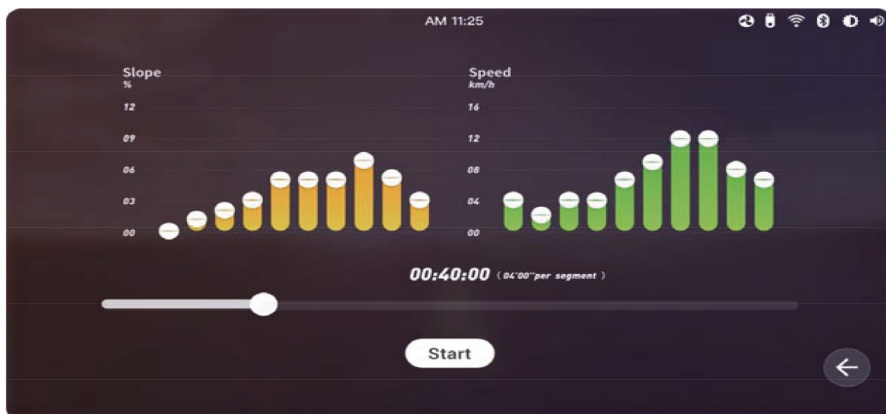
TRAINING SETTINGS: Access the Training Mode interface by clicking on the Training icon. The training options below will be shown in the menu:



This menu contains for pre-set training programmes and user-defined programmes, and the user can select a programme as desired.

The four pre-set programmes determine the length of the run and divides the entire running process into ten steps, where speed and incline are defined in advance for each step so that it becomes easier for the user to just concentrate on running.

If the user is not satisfied with the four pre-set training programmes, they can be adjusted. The user can adjust the following settings for each step: running time, incline and speed, as shown below:





TARGET SETTINGS: Access the Target mode interface by clicking on the Target icon. The training options below will be shown in the menu:



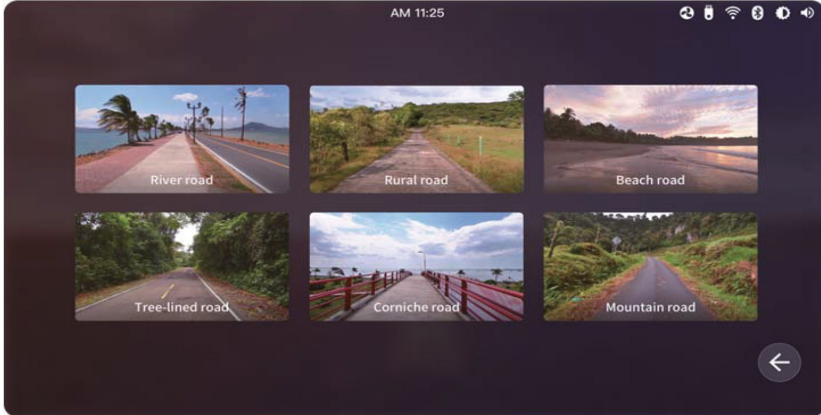
Select the desired training programme and specify your target values. You can select between three countdown functions:

Type	Option	Description
Mileage (Mileage)	2/4/6/8/mini Marathon/ half Marathon / Marathon / User-adjusted	Specify the distance you want to complete. Once the run is underway, the distance will be reduced by the number of kilometres moved. When you hit 0, the running programme will stop.
Time (Time)	15/30/45/60/90/120/150/ user-adjusted minutes	Specify the time you want to complete your run on. Once the run has begun, the timer will start its countdown. When you hit 0, the running programme will stop.
Calorie (Calorie)	100/200/300/400/500/1000/ 1500/user-adjusted	Specify the target for your desired burning of calories. Once the run has begun, the number of calories will gradually begin ticking down. When you hit 0, the running programme will stop.

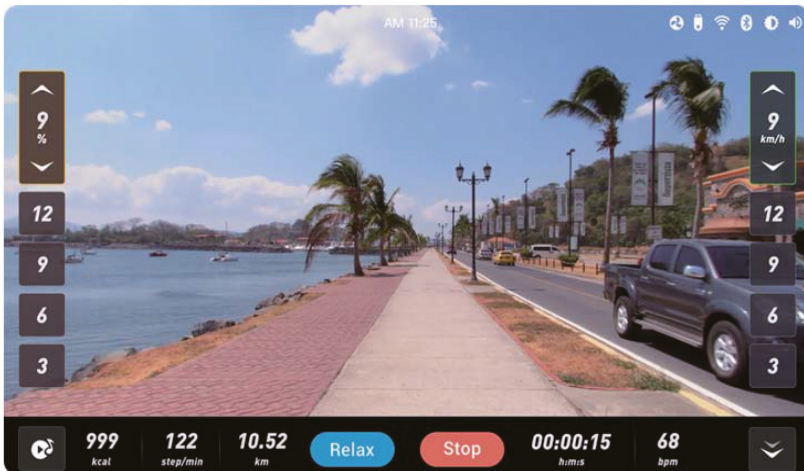


Landscape

AUTHENTIC ENVIRONMENTS Access the Landscape interface by clicking on the Landscape icon. The training options below will be shown in the menu:



The user can select the environment he or she wants to run in. If, for example, the user chooses the “Beach” environment, the run will start in an authentic beach environment as shown below:

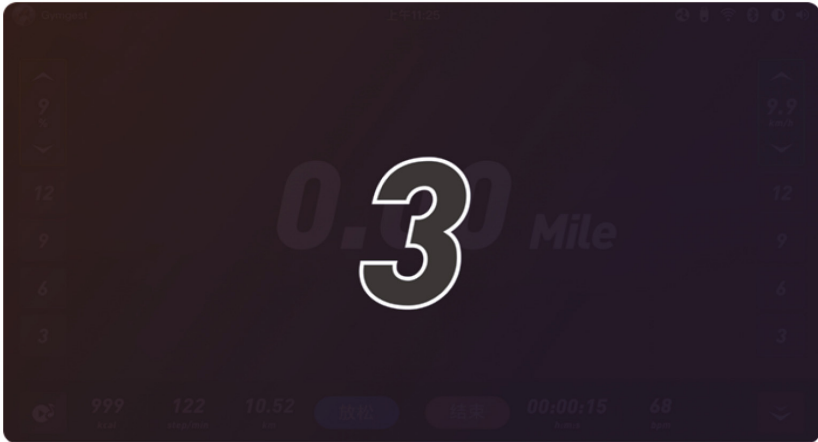


The user is free to adjust the speed settings via the settings area on the right side of the display. The changes in speed that are made on the display correspond to the speed that you are running at. There are two ways to configure, specify and adjust the speed by. You can configure the three specific speeds to 3/6/9/12 or you can use the up and down arrows to make smaller adjustments. The adjustments are made at intervals of 0.5.

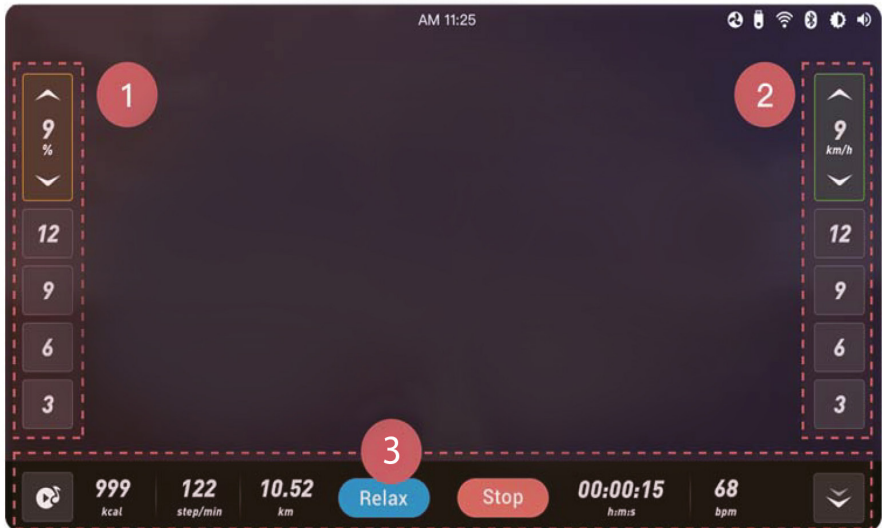


Quick start

QUICK START: Access the Quick Start interface and start the countdown function by clicking on the Quick Start icon as illustrated below:



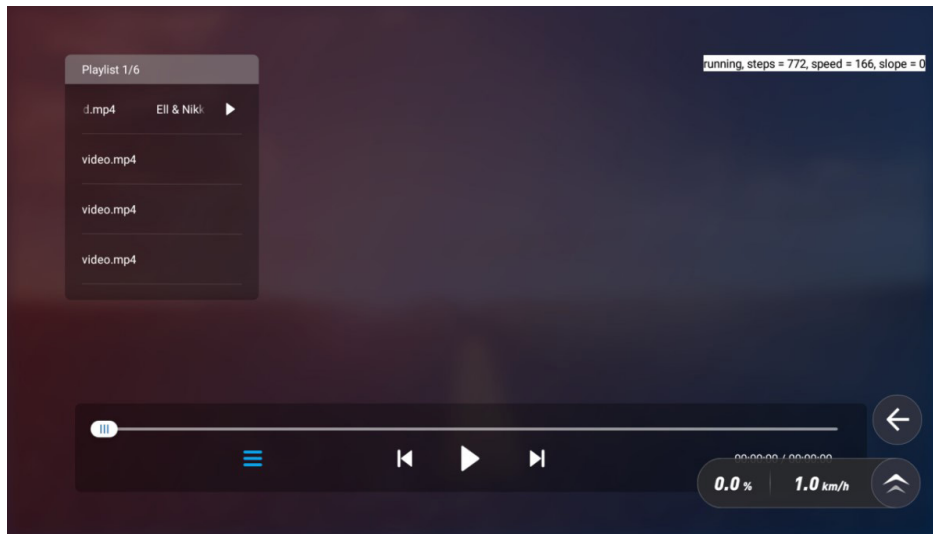
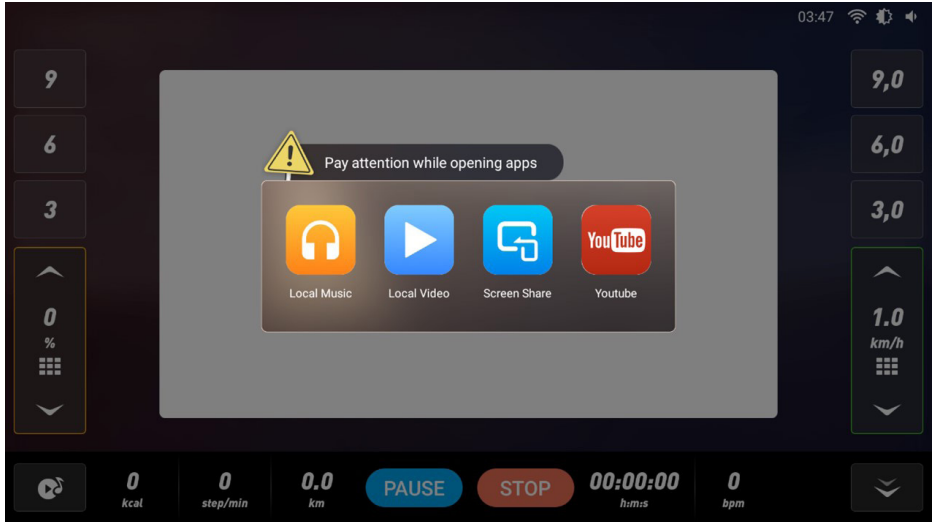
The interface is divided into three parts.



Area	Description
Incline settings	There are two ways to specify incline degrees and incline areas. You can specify the four specific inclines of 3/6/9/12 or you can use the arrows on the left side to make adjustments. One push of a button equal one incline interval change.
Speed settings	There are two ways to adjust speed settings. You can specify the four specific speeds of 3/6/9/12 or you can make adjustments using the up and down arrows on the right side. The adjustments are made at intervals of 0.5.
Running data display and functions	Shows the user's running data and contains several interactive features. Running data includes: calories, steps per minute, running distance, running time and pulse data. Includes: multimedia features, a Relax programme (pause), Stop (stops the treadmill), hide all settings AND the bottom bar with data on it.

Multimedia guide

During training, the user can click on the multimedia button in the bottom left corner to access the multimedia list and click on the desired app as shown below:



1. Local music player: the unit is connected to a USB drive, so if you have music saved on a USB stick you can play it by clicking on the audio files on the USB drive.
2. Local video playback: the unit is connected to a USB drive, so if you have video files saved on a USB stick, you can view them by clicking on the files on the USB drive.
3. Play audio/video from your mobile device
4. Use the YouTube icon and find what you want to play.

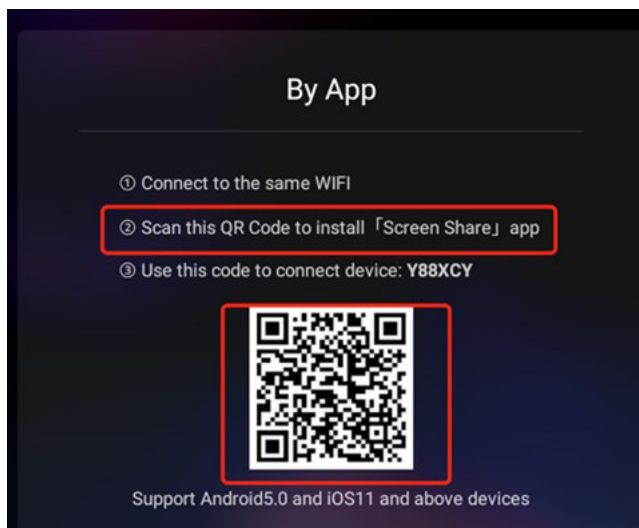
Option 1: Shared saved images, videos or music files from your mobile device:

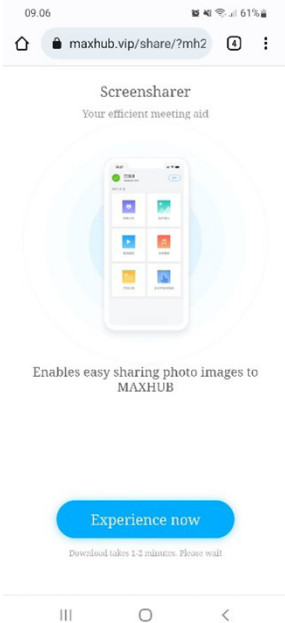
iOS

- (1) Connect the treadmill and mobile device to the same WiFi.
- (2) Download the “MAXHUB share” app on your mobile device. Click on the “Screen Share” icon to open the app on the treadmill. Open the app on your mobile device and scan the QR code or access the code from the treadmill’s display to connect to the treadmill.
- (3) When a connection has been made, you must allow access to your images, videos and music on your phone. Click on audio/video in the app to begin playing files that will automatically be shared with the treadmill.

Android

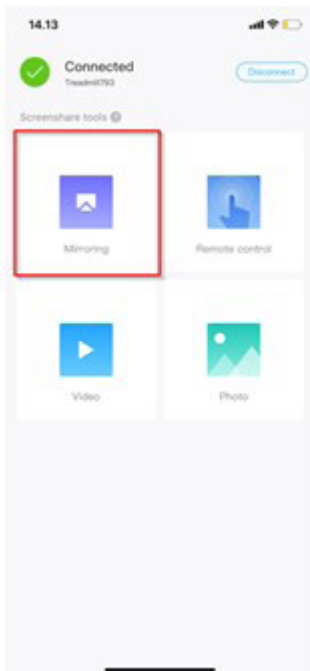
- (1) Connect the treadmill and mobile device to the same WiFi.
- (2) Click on the “Screen Share” icon to open the app on the treadmill. Download the “Screen Share” app on your mobile device by scanning the QR code from the treadmill’s display. See below:





(3) Open the app on your mobile device and scan the QR code again or enter the code from the treadmill's display to create a connection to the treadmill.

(4) When a connection has been made, you must allow access to images, videos and music on your phone. Click on audio/video in the app to begin playing files that will automatically be shared with the treadmill.



Option 2: Share the screen on your mobile device:

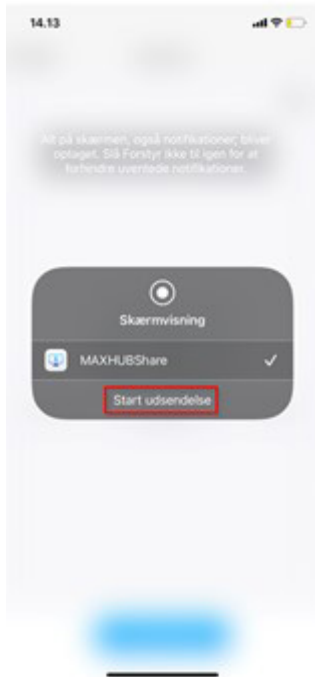
(1) Open the “Screen share” app on the treadmill.

(2) Open the “MAXHUB Share” (iOS) or “Screen Share” (Android) on your mobile device. Click on “Mirroring” in either “MAXHUB Share” (iOS) or “Screen share” (Android). See the image on the left:

(3) Click “Start” to share content from your mobile device with the treadmill’s display. Swipe away from this page and open a media/video app on your mobile device and play it. The screen will be shared with the treadmill. ***Please note: Some video apps do not support this functionality.**

See image below:

iOS

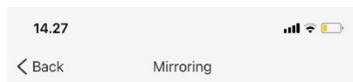


Android



Option 3: Share the screen from your mobile device (only applies to iOS):

- (1) Open the “Screen share” app on the treadmill.
- (2) Access the control settings on your mobile device.
- (3) Select “Screen Mirroring” - see the image below:
- (4) Select “Threadmill793” to connect to the treadmill. Then the screen on your mobile device will be shared with the screen on the treadmill.
- (5) Go into a streaming service on your phone, click on a video to play it and then click on “TV” or other mirror icons above the video. **Please note: Some video apps do not support this functionality.**



Mirroring Guide

1. Enter the Control Center
2. Choose Screen Mirroring
3. Select Treadmill793

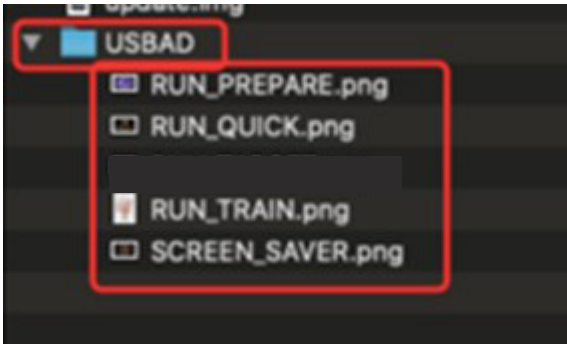


Configure and personalize the treadmill

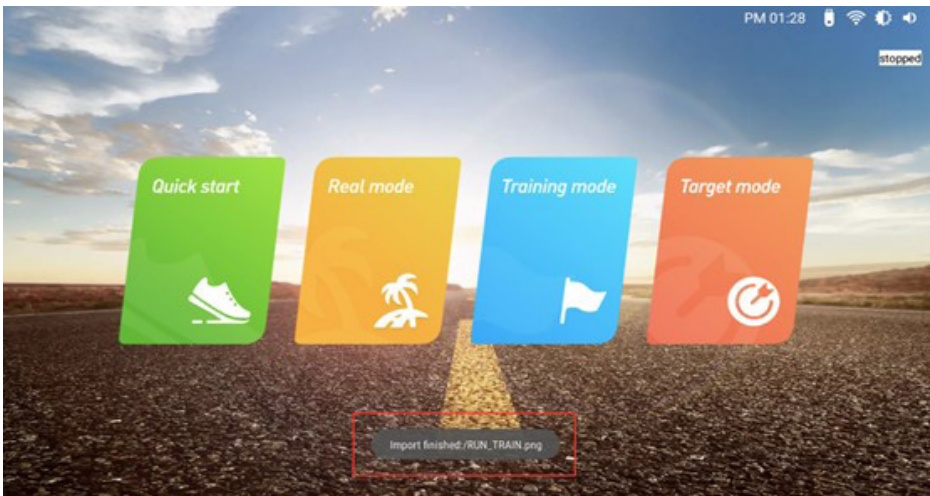
● Upload images to the treadmill

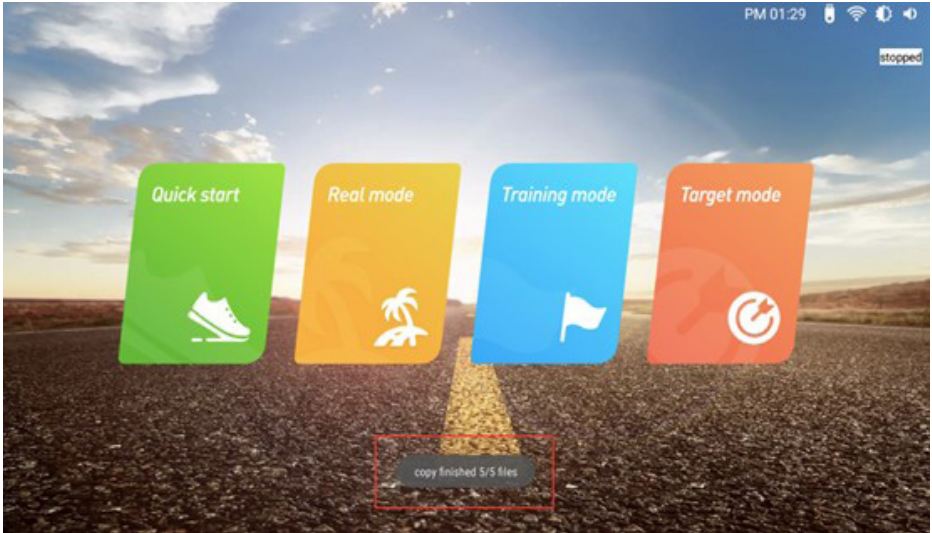
Create a “USBAD” folder in the USB drive’s root folder on your computer. Images that you want to upload must be saved in a PNG format in the folder and the images must be named according to the following specifications:

1. Standby Screen Saver Page: SCREEN_SAVER.png (Resolution: 1920 × 1082)
2. Run Prepare Page: RUN_PREPARE.png (Resolution: 1920 × 1082)
3. Quick Run Page: RUN_QUICK.png (Resolution: 1280 × 720)
4. Training Mode Page: RUN_TRAIN.png (Resolution: 400 × 600)



Insert the USB stick and wait until the uploading process is completed. See the image below:



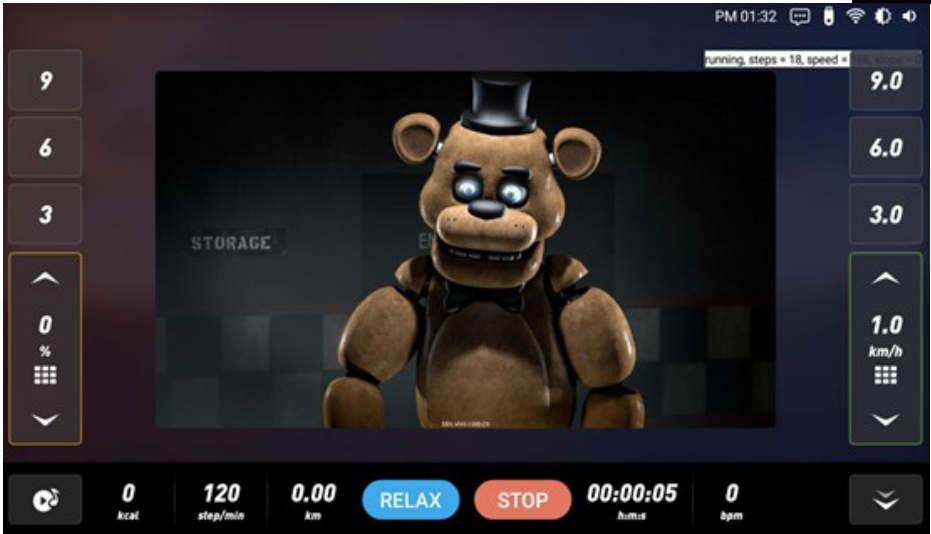


(As illustrated above, the system will show the importing of your images one by one).

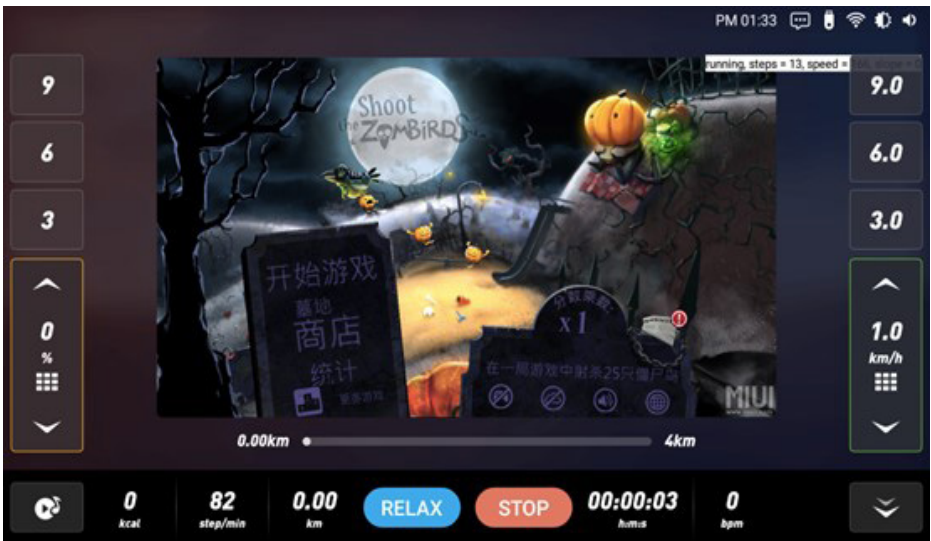
EXAMPLES OF IMAGES (4 images in total)



(Run Prepare Page) (example 1)



(Quick run Page) (example 2)



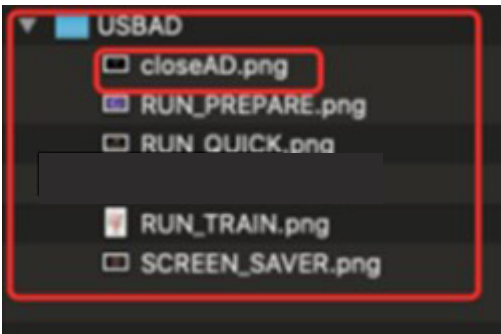
(Training Mode Page) (example 3)



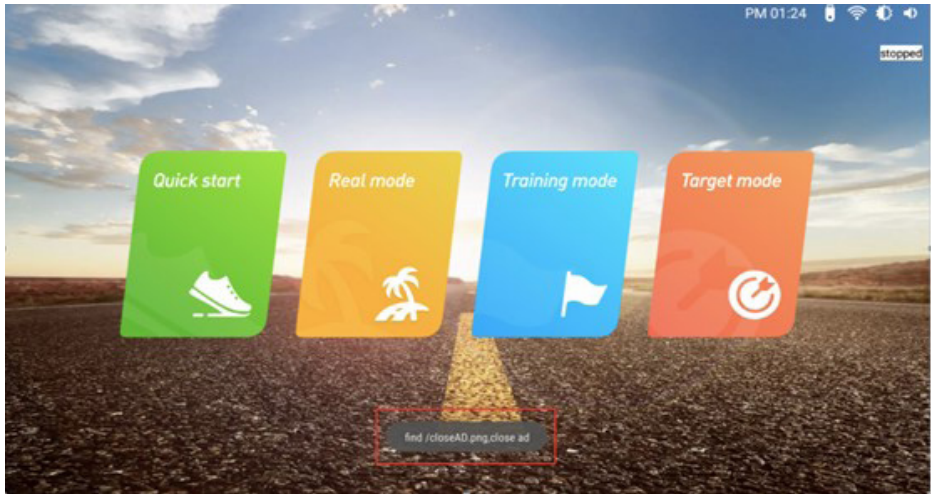
(Standby Screen Saver Page) (example 4)

● Remove the images from the treadmill

You need to open the “USBAD” folder on your USB stick and then you need to select a random picture among those uploaded to the treadmill and change the name of the image to “CLOSEAD”. Then all pictures will be deleted. See below:



Insert the USB stick and wait until the uploading process is completed.



Verify that all images have been removed.

Cleaning and maintenance

WARNING! Please ensure that **NO** fluids ever enter the machine or its electronic components, as this can cause damage to it.

Unplug the machine before cleaning or maintaining it.

Maintenance work should only be done by an authorized service technician unless otherwise specified by the manufacturer. If these instructions are not followed, the warranty will automatically lapse.

The machine should not be exposed to high levels of moisture or direct sunlight.

Cleaning

Dust the treadmill off regularly. Make sure to clean the edges on each side of the treadmill. This prevents dust and dirt from accumulating under the treadmill. (Always use clean shoes when using the treadmill).

The top part of the treadmill can be cleaned with a tightly wrung soft rag, and you can add some dishwashing soap to that if you like. Water must not get into the treadmill's framework or into the underside of the treadmill band itself. NEVER use abrasive cleaning products or disinfectants or acidic or alkaline detergents.

Adjusting the tightness of the treadmill

All treadmills have to be adjusted before they leave the factory and after installation. However, if used for a long period of time, some things may loosen up. The treadmill loosening up is not covered by warranty and is generally considered to be part of a normal maintenance by the user. If the treadmill is too loose, there will be issues between the treadmill band and the machine once the foot is on the treadmill. However, be careful when adjusting. Do not tighten the treadmill band too much. If the treadmill band is too tight, the engine, band and machine may be damaged. Normally, both sides of the treadmill band can be lifted 5-6 cm from the underlying layer.

(Please note: When the treadmill is adjusted, you have to turn off the power and remove the plug from the power socket).

How to determine if the treadmill is too loose:

Adjust the treadmill's speed to 1.5 km/h, grab the armrests with both hands and a firm grip and use your feet to block the treadmill from moving forward so that the treadmill stops running while the forward cylinder is still going. If the treadmill keeps going, the activity indicates that the treadmill band is too loose and there will be a sense of it pausing while in use. If the treadmill is used when it is too loose for an extended period of time, it will reduce the lifetime of the product, so ensure that you make the appropriate adjustments in good time.

How to adjust the tightness of the treadmill:

Use specialized tools to adjust the left and right adjustment bolt in a clockwise direction (in a quarter circle at a time) until the user no longer feels any pauses in the machine.

Important! Please note that this is not a case where it is best to just tighten as much as possible - you need to adjust it correctly. If the treadmill band becomes too tight, it will reduce the lifetime of the machine.

Adjusting the treadmill if it pulls to the sides

After an extended period of use, the treadmill may still seem to be pulling to the sides. This is due to the following:

- (1) The treadmill is not placed in an even and straight way.
- (2) The user's feet are not in the middle of the treadmill band while training.

How to adjust the treadmill if it is pulling to the sides:

If it is pulling to the sides due to 'human error', the issue can be fixed by letting the treadmill go through a few rotations without standing on it. If this does not work, then you can use the specialist tool that comes with the machine to gradually adjust the bolts on the treadmill's adjuster by making quarter turns one by one. If the treadmill pulls to the left, then adjust the left adjustment bolt either clockwise or counter clockwise to adjust the right side. If the treadmill pulls to the right, adjust the right adjustment bolt either clockwise or counter clockwise to adjust the left side. The sides of the treadmill band must be within the area marked in green. The treadmill pulling to sides is not an issue covered by warranty and is generally considered to be a part of general maintenance by the user.

Be careful: The treadmill will be seriously damaged if it pulls to the sides, so you must discover the issue and correct it in good time.

Maintenance form for the treadmill

Maintenance of	Specifically	Key point	Daily	Weekly	Monthly	Quarterly	Every six months	Tool
General impres- sion	Cleaning the treadmill	●	Clean					Soft rag, vacuum cleaner
	Cleaning the platform	●	Clean					Soft rag, vacuum cleaner
	Edges		Clean					Soft rag, vacuum cleaner
	Cleaning the display		Clean		Inspect			Soft rag, vacuum cleaner
	Cleaning armrests (handles)		Clean					Soft rag
	Clean the bottom	●			Clean			Vacuum cleaner
	The mainframe screws				Inspect			
	Is the plug inserted correctly into the socket	●	Inspect					
Panel	Safety switch	●	Inspect					
	Pulse sensor			Inspect				
Treadmill band	Damaged			Inspect				
	Tight band	●	Inspect					Wrench
	Uneven band	●	Inspect					Wrench
	Is the platform raised or cracked?				Inspect			
	Installation screw				Inspect			
Motor room	Cleaning	●			Clean and vacuum			Turn off the power
	Cracks in the front wheels				Inspect and clean	Inspect		Vacuum / brush
	Cracks in the motor strap				Inspect and clean	Inspect		Vacuum / brush
	Uneven band				Inspect	Inspect		
	Tight band				Inspect	Inspect		
Wheel/cylinder	Sounds differently				Inspect	Inspect		



The symbol means that the product should not be disposed of together with normal household waste but instead delivered to an authorized recycling station that is intended for this purpose or to a retailer that offers disposal services. Contact your local municipality/council/etc. if you need more information.

WARRANTY AND SERVICE

There is a 2-year warranty period if your new product stops working due to manufacturing or material faults which begins from the documented date of purchase. The warranty covers materials and the cost of labour. When inquiring about service, please state the product name and serial number. You can find this information on the type plate. You can write down the information here in these instructions so that you have them at hand. This makes it easier for the service technician to find the correct spare parts.

The warranty does not cover:

- Faults and damage that are not due to manufacturing or material issues
- Damage caused by failure to properly maintain the device - including failing to clean it
- Fire and/or water damage or moisture damage on the product
- Damage caused during transport if the product was transported without proper packaging
- Damage caused by the use of unoriginal spare parts
- Damage resulting from failing to follow the instructions on how to use the device
- If the device has not been set up/assembled as specified in the instructions
- If non-professionals have installed or repaired the product
- Batteries or any other parts subject to normal wear and tear
- Outside the following countries: Denmark, Norway, Sweden, and Finland.

Damage during transport

If the product is damaged during transport and this is discovered when the retailer delivers the product to the customer, this is exclusively a matter between the customer and the retailer. In cases where customers have handled the transport of the product themselves, the supplier shall not be liable for any potential damage during transport. Any damage caused during transport must be reported immediately and no later than 24 hours after the product has been delivered. If not, the customer's claim will be rejected.

Unnecessary service

If the product is sent in to be serviced and it turns out that the fault could have been fixed independently by following the product's instruction manual, the customer will need to pay the service fee.

Commercial purchases

Commercial purchases are all purchases of devices that are not intended to be used in private households but instead intended to be used for commercial purposes (in restaurants, cafés, canteens, etc.) or intended to be rented out or otherwise used by multiple users in turn.

There is no warranty offered for commercial purchases, as this product is only intended for regular household use.

SERVICE

For service and spare parts in England and Ireland please call below-mentioned number and you will be directed accordingly or send us an email.

Witt UK & Ireland Ltd.
(44) 148 351 6633 / info@witt.dk

We accept no liability for printing errors.

The manufacturer/distributor cannot be held liable for damage to products or individuals if the safety instructions were not followed. The warranty shall not cover cases where the instructions have not been followed.